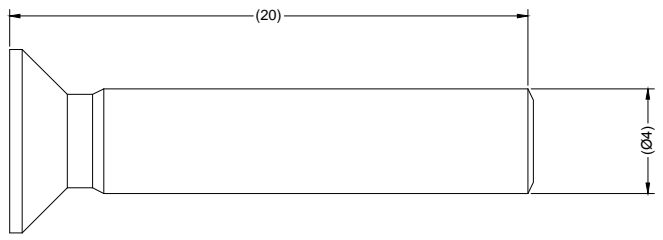
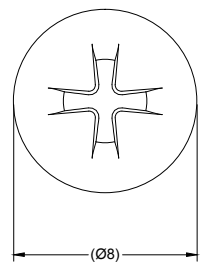
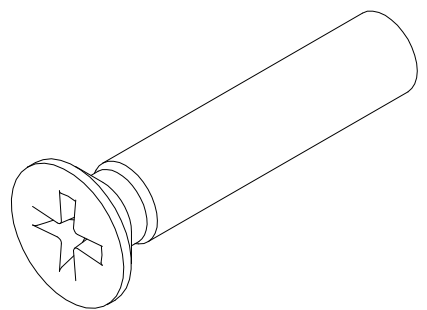


Revision Notes.				
R1 -				
APA: -	Drawn:-	Checked:-	Approved:-	Date: -



NOTES:
 1. MATERIAL: STAINLESS STEEL
 2. SIZE: M4 X 20 COUNTERSUNK HEAD MACHINE SCREW

PROPRIETARY NOTICE
 THIS DESIGN AND TECHNICAL INFORMATION APPEARING ON THIS DRAWING IS THE PROPERTY OF BRIGADE ELECTRONICS, AND IS DISCLOSED IN CONFIDENCE. IT IS NOT TO BE COPIED, REPRODUCED, REVEALED TO OR EXPROPRIATED BY OTHERS, EITHER IN WHOLE OR IN PART WITHOUT THE EXPRESS WRITTEN CONSENT OF BRIGADE ELECTRONICS.



Assembly Pl Approval Y.J.LEE 24/03/15		Approved by B.CHILDS		Checked by R.BATES		Drawn by T.MANTON	
Angle of Projection Third Angle		Units mm	Scale N/A	Released 24/03/15	Assembly Ref -		
Status RELEASED		N/A					
Part No 4863		BE-003085-00-15					